

# AXC METAL RANGE

PRODUCT PROFILE (SEE OVER FOR TECHNICAL DETAILS)



CENTRIFUGAL IN-LINE FANS

DESCRIPTION:

Suitable for single or multi room applications. The AXC high performance centrifugal pressure in-line fans are available in 10 sizes. Suitable for any ducted system in residential, commercial and industrial applications

INSTALLATION:

The AXC Metal fan is designed for in-line (ducted) installation. Ideal for moving medium to large air volumes against higher static resistance.

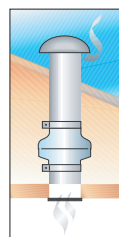
BENEFITS:

- Comply with European Low Voltage Directives
- Backward curved blades to ensure lowest sound levels and develop ample static pressure
- Can be used with rigid or flexible ducting
- Quiet Operation
- Ideal solution for centralised / multi-point ventilation systems
- Variable speed controllable
- Heavy gauge, spun steel housing with baked epoxy finish
- Ball bearing motor, permanently lubricated for maintenance free operation and continuous running

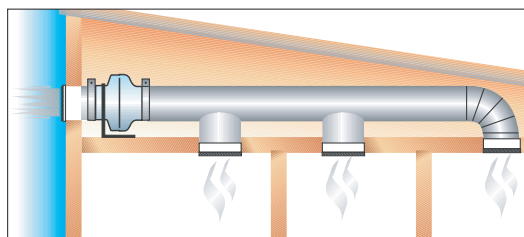
WARRANTY:

2 years

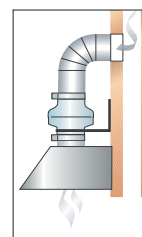
APPLICATIONS:



Ceiling



Multi-point ventilation



In-wall

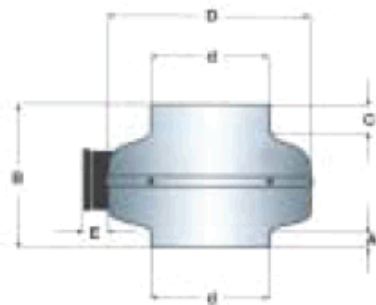
# AXC METAL RANGE

TECHNICAL DETAILS (SEE BACK FOR PRODUCT PROFILE)

SPECIFICATIONS:

Model	Item Code	m <sup>3</sup> /h	L/s	Pa	W	A	dB(A)	RPM
AXC 100 A	2AX1000	195	54	350	70	0.3	40	1990
AXC 100 B	2AX1001	250	69	380	70	0.3	45	2530
AXC 125 A	2AX1250	245	68	310	70	0.34	42	1700
AXC 125 B	2AX1251	325	90	340	70	0.30	45	2400
AXC 150 A	2AX1500	400	111	310	70	0.30	46	2470
AXC 150 B	2AX1503	530	147	420	80	0.40	45	2450
AXC 160 A	2AX1600	440	122	330	70	0.30	46	2395
AXC 160 B	2AX1603	700	194	420	110	0.50	47	2550
AXC 200 A	2AX2000	750	208	350	80	0.40	50	2450
AXC 200 B	2AX2001	980	272	580	150	0.70	50	2700
AXC 250	2AX2500	1120	311	570	170	0.78	53	2550
AXC 315 A	2AX3150	1400	389	580	150	0.80	54	2645
AXC 315 B	2AX3153	1850	514	700	300	1.30	59	2630
AXC 355 A	2AX3550	2200	611	349	240	1.12	57	1330
AXC 355 B	2AX3552	2350	653	902	650	2.82	77	2560

DIMENSIONS:



Model	A	B	C	ØD	Ød	E	Kg
AXC 100 A & B	12	215	24	245	98	38	3
AXC 125 A & B	11	214	24	245	122	38	3
AXC 150 A	21	216	23	245	147	38	3
AXC 150 B	22	230	22	333	148	38	5
AXC 160 A	24	215	24	245	157	38	3
AXC 160 B	21	230	22	333	158	38	5
AXC 200 A & B	22	230	27	333	198	38	5
AXC 250	22	230	35	333	248	38	5
AXC 315 A & B	30	308	52	404	314	38	9

PERFORMANCE:

